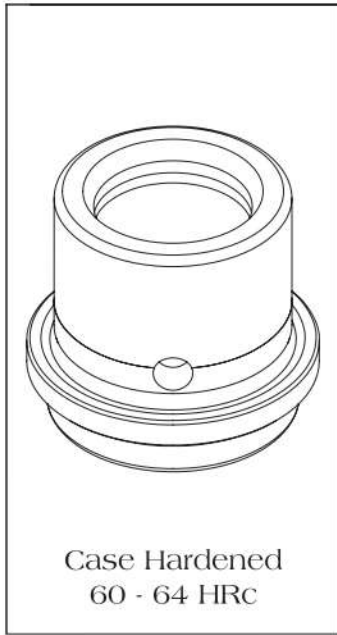




Low Profile Bushings (Stripper Plate Bushing)

STEEL
B13DDDDFFF

BRONZE PLATED
B23DDDDFFF



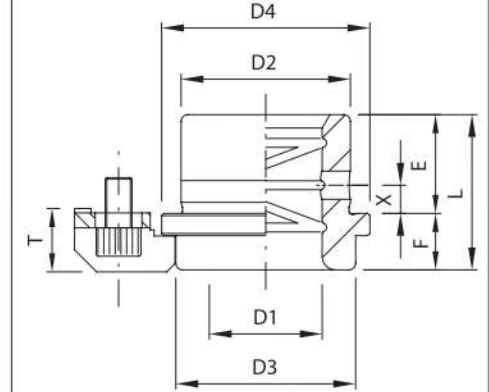
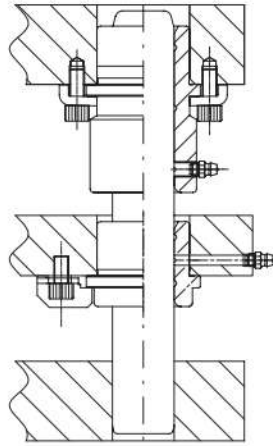
Case Hardened
60 - 64 HRC

To Be Use With

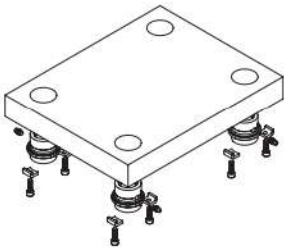


STRAIGHT
GUIDE PILLAR

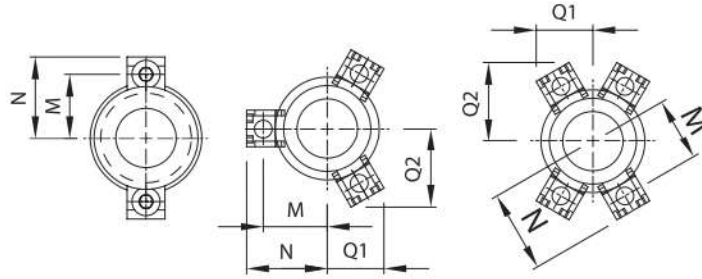
Example



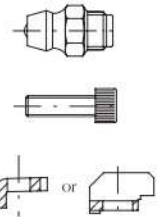
Assembly



Clamp Arrangements



Component Parts
Supplied



See pag. 40

D ₁	20	25	32	40	50	63	80*
F	CATALOG NUMBER						
10	B13020010 B23020010	B13025010 B23025010	B13032010 B23032010				
14				B13040014 B23040014	B13050014 B23050014	B13063014 B23063014	B13080014 B23080014
DIMENSIONAL DATA							
E	18	23	30	38	48	61	78
L	28	33	40	52	62	75	92
D ₂		38	45	54	65	81	100
D ₃	29	36	43	50	64	79	99
D ₄	32.5	47	54	63	75	93	115
M	19.5	30	33.5	40	46	55	66
N	26.3	38.6	42	52	57.9	66.8	77.7
Q ₁	-	25.2	27	33.7	36.7	41.2	46.7
Q ₂		36.4	39.5	49	54.2	61.9	71.5
T	11.3	10.2		13.2			
X	6		10		20		32
KITS	B010050M2 + B05006001	B020060M3 + B05006001		B020080M3 + B05006001		B020080M4 + B05006001	